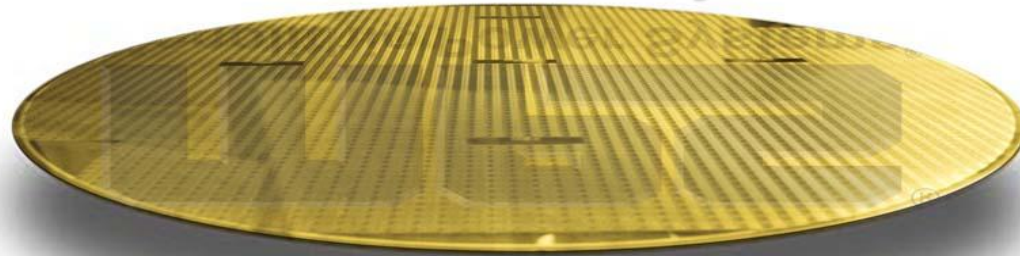


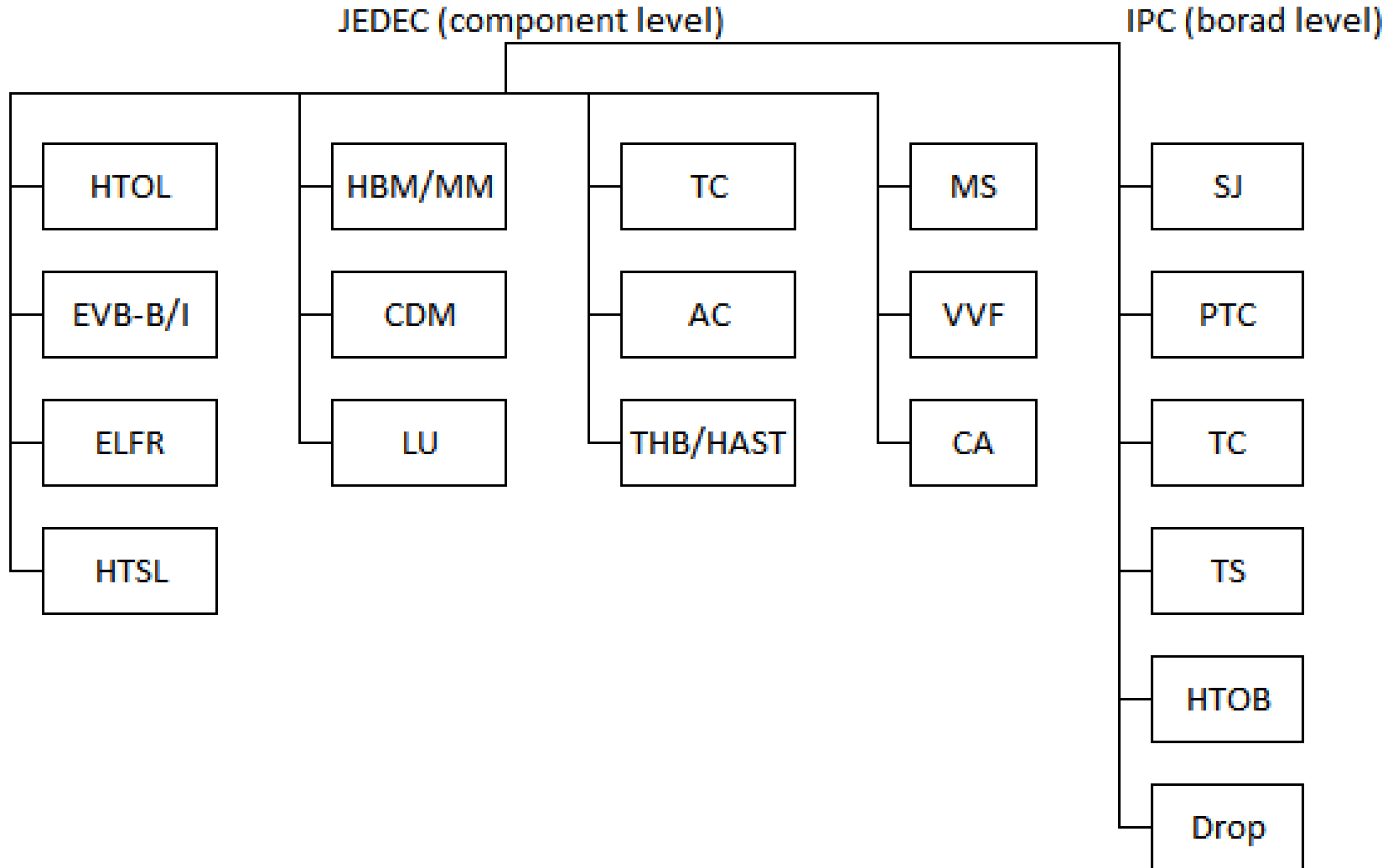
MPS[®]
Monolithic Power Systems[®]

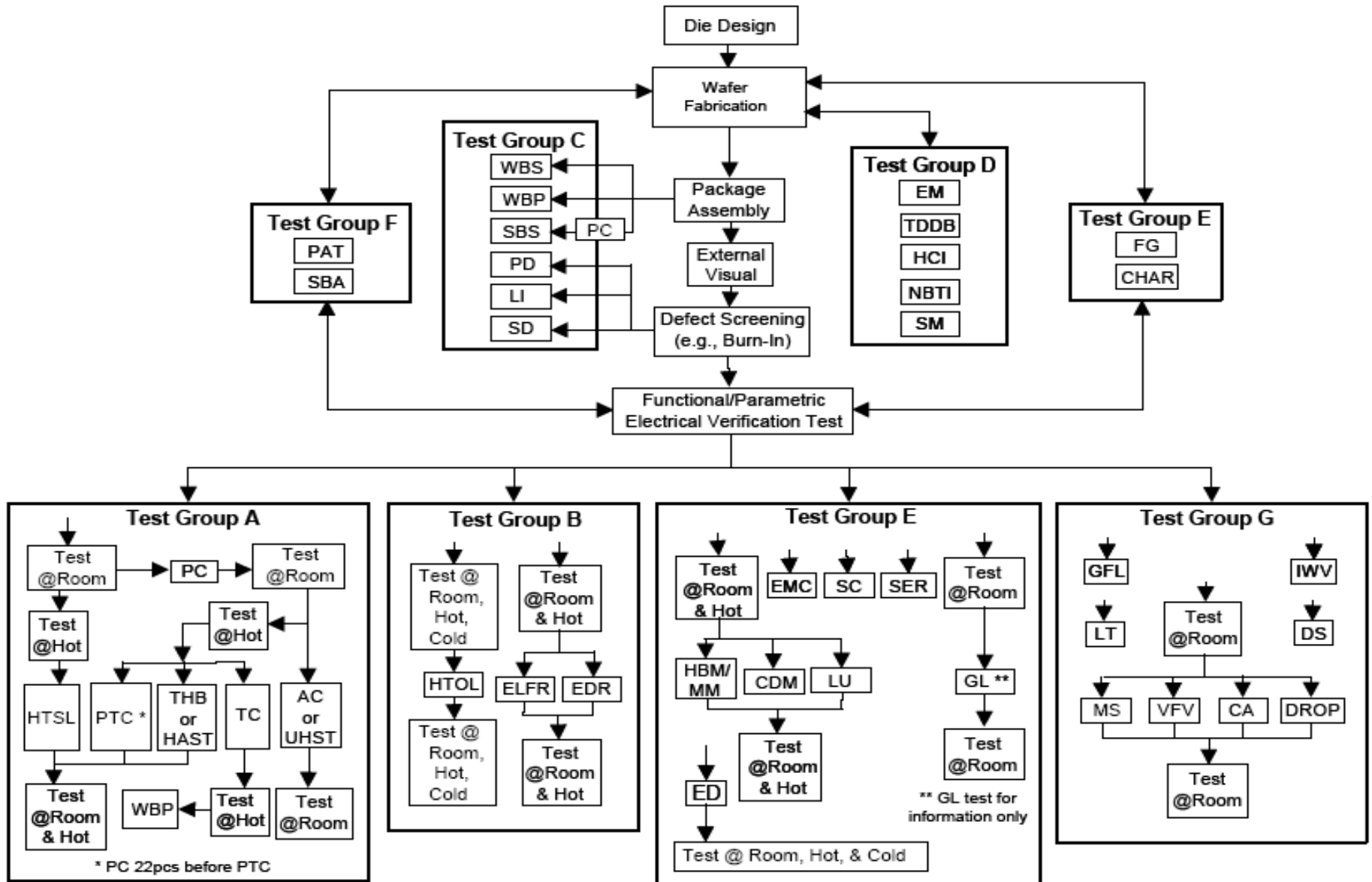


Reliability Testing and Lab



Standard Product Qualification Requirement and Tests





Our REL LAB provides all standard reliability stress tests





SONOSCAN C-SAM 9500D



DESPATCH HTOL SYSTEM



HARIYAMA HAST CHAMBER



ESPEC Temp. Cycle Chamber



Pb-free Reflow oven